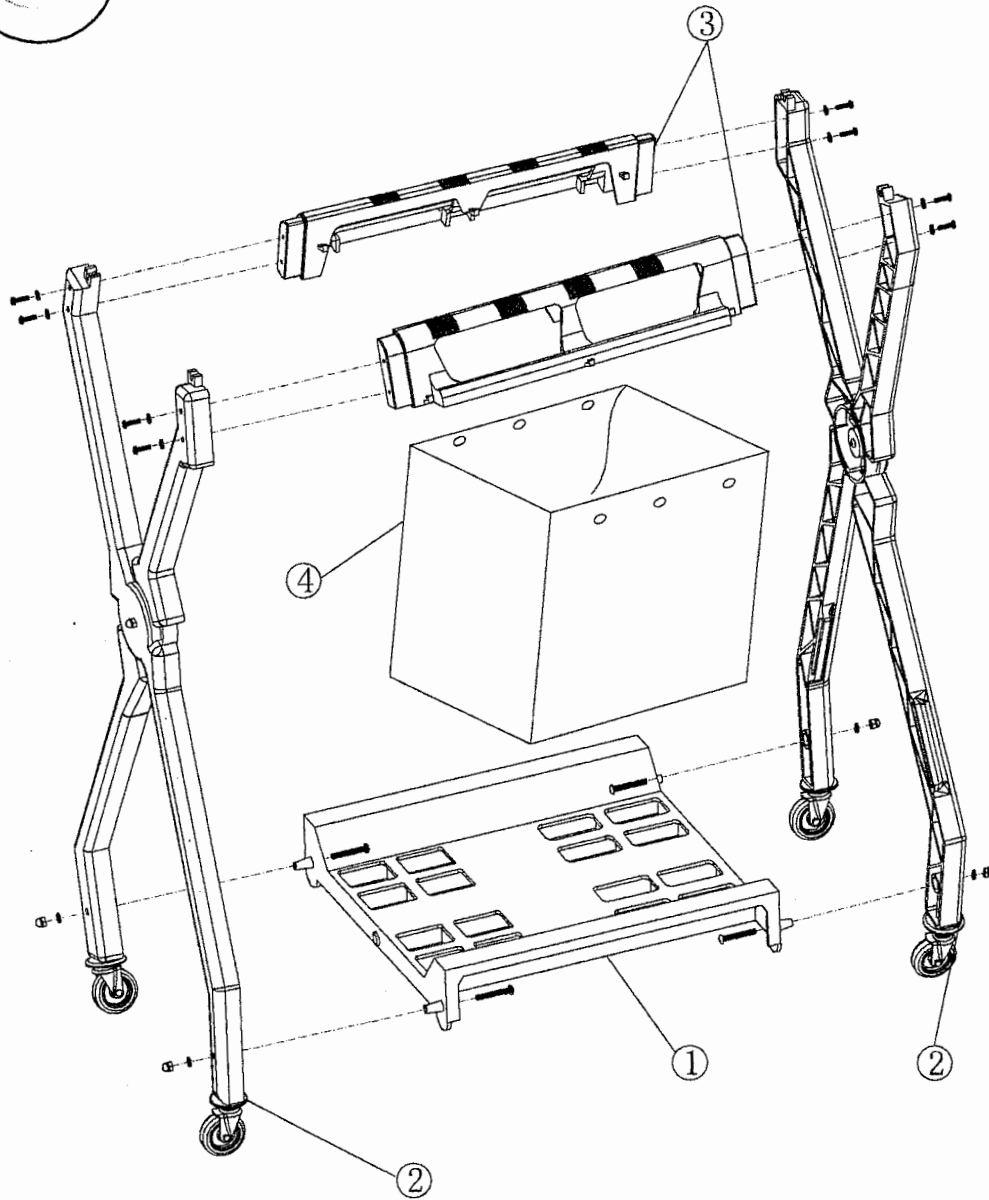


722498 Plastic Laundry Cart Assembly Instruction



Step 1: Take the backplane ① and mount it into the bottom holes of the bracket ② according to the picture, then fix it with screws, washers and nuts.

Step 2: Take the handrail ③ and mount it into the top holes of the bracket ② according to the picture, and then fix it with screws, washers and nuts .

Step 3: Take the bag ④ and hang it onto the hooks of handrail ③ .